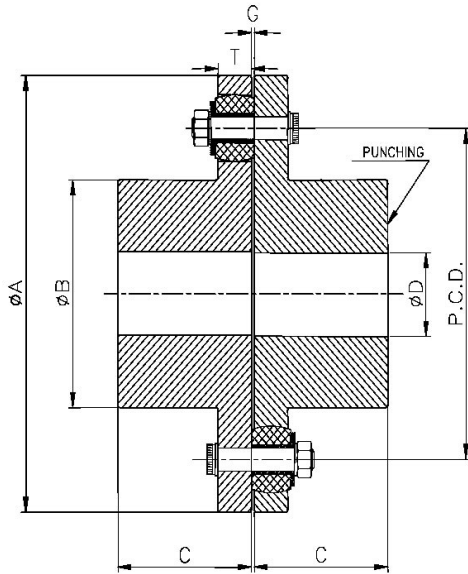




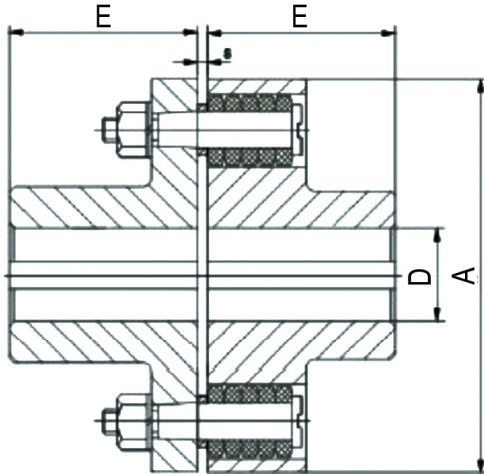
Pin and Bush Coupling



Size	Polyurethane Buffer			Dimensions mm								
	Torque Nm	Power Kw/rpm	Max Speed	A	B	C	D min/max	G	T	Weight Kg	Bolt	Qty
RP 125	900	0.094	5800	125	70	50	16-50	3	20	6	M8	12
RP 145	1500	0.157	5500	145	80	65	16-58	5	25	10.1	M10	12
RP 165	2100	0.22	4800	165	100	70	22-75	5	25	14.7	M10	12
RP 195	4200	0.44	4400	195	120	90	32-90	5	30	27.13	M12	12
RP 240	9000	0.942	3600	240	150	105	42-110	5	35	46.6	M16	16
RP 290	17000	1.779	3000	290	180	125	60-130	6	50	86.2	M20	16
RP 320	22000	2.302	2600	320	210	151	70-150	6	50	124.3	M20	16
RP 350	30000	3.14	2400	350	225	161	76-160	6	60	161.7	M24	16
RP 380	37500	3.925	2200	380	245	181	80-180	6	60	206.4	M24	16



Cone Ring Couplings Spares



Type RC			Pins and Nuts			Cone Rings	
size	Pin Half	Bush Half	Pin No	Nut size	No per Coupling	Part No	No per Coupling
20	020/1	020/2	CG 3/4"/3	M8	6	CG 3/4"/4	18
30	030/1	030/2	CG1"/3	M10	4	CG1"/4	12
38	038/1	038/2	CG1"/3	M10	6	CG1"/4	18
42	042/1	042/2	CG1"/3	M10	8	CG1"/4	24
48	048/1	048/2	CG1 3/4"/3	M12	10	CG1 3/4"/4	18
58	058/1	058/2	CG1 3/4"/3	M12	8	CG1 3/4"/4	24
70	070/1	070/2	CG1 3/4"/3	M12	10	CG1 3/4"/4	30
75	075/1	075/2	CG2 3/4"/3	M20	12	CG2 3/4"/4	32
85	085/1	085/2	CG2 3/4"/3	M20	10	CG2 3/4"/4	40
105	105/1	105/2	CG2 3/4"/3	M20	12	CG2 3/4"/4	48
120	120/1	120/2	CG4 1/4"/3	M24	14	CG4 1/4"/4	40
135	135/1	135/2	CG4 1/4"/3	M24	10	CG4 1/4"/4	48
150	150/1	150/2	CG4 1/4"/3	M24	12	CG4 1/4"/4	56
170	170/1	170/2	CG6 1/4"/3	M36	14	CG6 1/4"/4	40
190	190/1	190/2	CG6 1/4"/3	M36	12	CG6 1/4"/4	48
215	215/1	215/2	CG6 1/4"/3	M36	14	CG6 1/4"/4	56
240	240/1	240/2	CG9"/3	M48	12	CG9"/4	48
265	265/1	265/2	CG9"/3	M48	14	CG9"/4	56