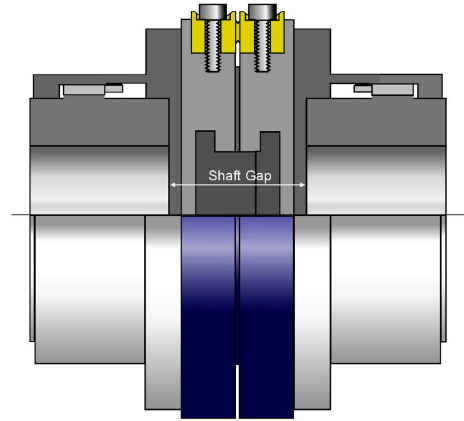




Torque Limiters

Features

- Gear Type wedged couplings are supplied bored and keyed to customer needs
- All couplings manufactured to AGMA standards
- Standard units available for release torques up to 215,500 Nm
- Special designs available to meet specific needs
- Standard finish Xylan coating
- Can be adapted to most standard couplings
- No backlash, ideal for reversing drives
- Easy access can be replaced in minutes
- Clamping screw provide positive location
- Proximity switches can be fitted
- Ideal for UJ couplings with SAE Flange



Technical Data

Model	Nom Drive Nm	Max release Nm	Wedgepin	PWR	Diameter mm	Max Bore Size mm	Spacer Length mm	Total Length mm	Min Shaft Gap mm
GS 15	1900	11300	4 x W50	73	180	65	55	157	57
GS 20	3500	13800	4 x W50	89	210	80	55	182	57
GS 25	6400	33500	4 x W75	106	260	98	72	231	76
GS 30	10700	36300	4 x W75	115	275	115	74	261	79
GS 35	16400	42700	4 x W75	135	320	135	76	295	82
GS 40	24900	48000	4 x W75	152	355	160	76	323	82
GS 45	34200	98400	4 x W100	186	430	180	84	362	92
GS 50	46300	98400	4 x W100	186	430	195	84	398	92
GS 55	60600	117400	4 x W100	222	500	215	90	434	98
GS 60	78400	196000	4 x W100	250	570	235	110	494	118
GS 70	114000	215500	4 x W100	275	620	280	110	561	120