



+ 44 (0)1827 261202



sales@ptigroup.co.uk



**POWER TRANSMISSIONS  
INTERNATIONAL**

## EFLEX Type - Pin & Bush Coupling

### Simplicity of Construction

Easy to assemble & disassemble. Suitable independent running of the drive.

### Varying Stiffness Characteristics

Special barrel shaped bushes provide progressively increasing stiffness characteristics, hence ensure effective shocks & vibration absorption.

### No Lubrication

EFLEX couplings never require lubrication of any kind.

### Simple / Easy Maintenance

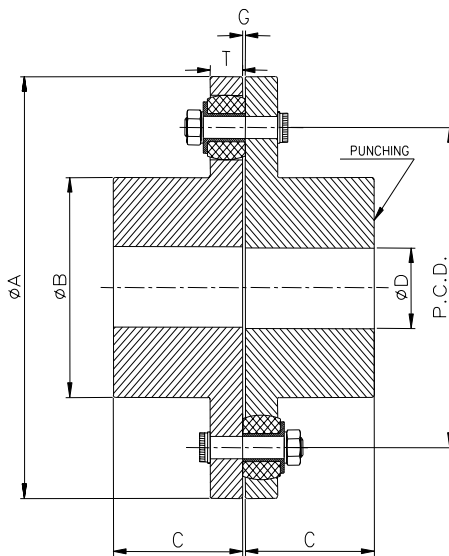
No complicated mechanism to demand adjustment or maintenance. Inspection and replacement of bushes is easy and bushes can be quickly fitted without dismantling or moving either of coupled shafts.

### Low Operational Cost

Only wearing part is low cost bushes which make coupling economical in long run.

### Smooth & Quiet Operation

Reduces vibration & noise arising from severe torque fluctuations.



### RP-Flex Couplings - Specification

S.N.	Size	Polyurethane buffer			Dimensions (mm)							Solid hub		Bolt Details	
		Torque (Nm)	Power (kW/rpm)	Max. Speed (rpm)	A	B	C	D (Min-Max)	G	T	PCD	Weight (kg)	M.I. (Kgm <sup>2</sup> )	Size	Qty.
1	RP-12.5	900	0.094	5800	125	70	50	16-50	3	20	95	6	0.009	M8	12
2	RP-14.5	1500	0.157	5500	145	80	65	16-58	5	25	112	10.1	0.02	M10	12
3	RP-16.5	2100	0.220	4800	165	100	70	22-75	5	25	130	14.7	0.037	M10	12
4	RP-19.5	4200	0.440	4400	195	120	90	32-90	5	30	155	27.13	0.09	M12	12
5	RP-24.0	9000	0.942	3600	240	150	105	42-110	5	35	190	46.6	0.246	M16	16
6	RP-29.0	17000	1.779	3000	290	180	125	60-130	6	50	230	86.2	0.70	M20	16
7	RP-32.0	22000	2.302	2600	320	210	151	70-150	6	50	260	124.3	1.17	M20	16
8	RP-35.0	30000	3.140	2400	350	225	161	76-160	6	60	285	161.7	1.88	M24	16
9	RP-38.0	37500	3.925	2200	380	245	181	80-180	6	60	310	206.4	2.73	M24	16

Website [www.ptigroup.co.uk](http://www.ptigroup.co.uk)

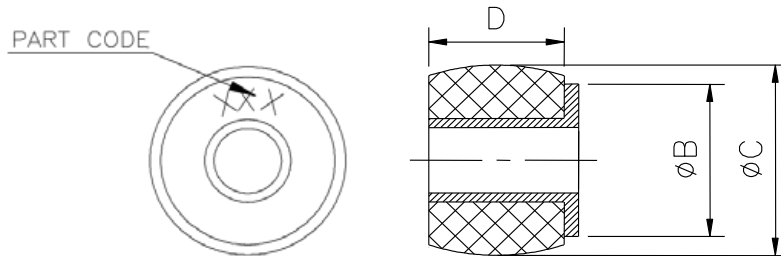
**PTI – the power behind you**

Taper Grid Couplings | Original Resilient Couplings | Gear Couplings | Pin and Bush | Elastomeric Disc Couplings | Carbon Fibre Couplings | Torque Control | Fluid Couplings

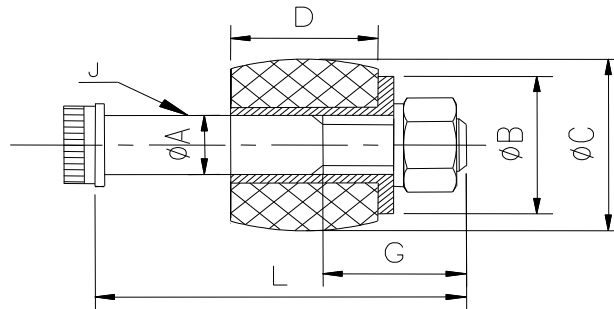


## RP-Flex Couplings - 2 Part Details

### Buffer



### Buffer Assembly



Sr. No.	Coupling Size	Dimensions (mm)						
		A	B	C	D	G	L	J
1	RP-12.5	8	16.8	22	23	22	60	Refer general assembly (G.A.) drawing.
2	RP-14.5	10	20.8	25	31	26	80	
3	RP-16.5	10	20.8	25	31	26	80	
4	RP-19.5	12	23.8	30	35	30	90	
5	RP-24.0	16	29.8	35	39	38	110	
6	RP-29.0	20	36.8	45	56	52	150	
7	RP-32.0	20	36.8	45	56	52	150	
8	RP-35.0	24	43.8	55	64	60	170	
9	RP-38.0	24	43.8	55	64	60	170	