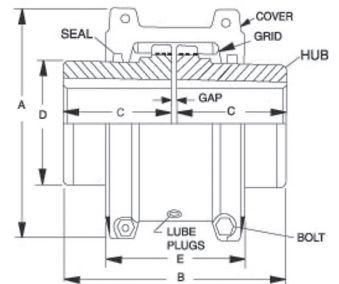
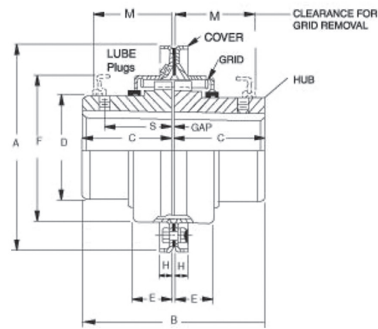
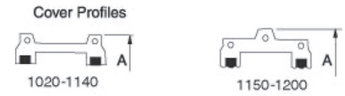
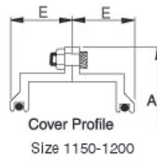
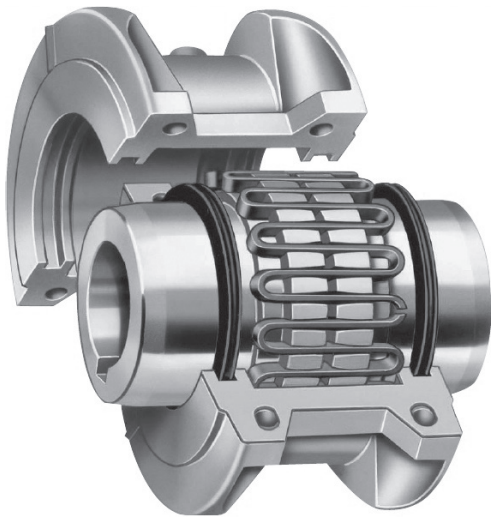




Taper Grid Couplings



Technical Data

Size	Rating Nm	Max. Speed (rpm)	Max Bore Dia (mm)	Dimensions (mm)					Gap (mm)	Weight Kg
				A	B	C	D	E		
1020	52	4500	30	101.6	98	47.5	39.7	66.5	3	1.9
1030	149	4500	35	110	98	47.5	49.2	68.3	3	2.6
1040	249	4500	43	117	104.6	50.8	57.1	70	3	3.4
1050	435	4500	50	138	123.6	60.3	66.7	79.5	3	5.4
1060	684	4350	55	150	130	63.5	76.2	92	3	7.3
1070	994	4125	65	162	155.4	76.2	87.3	95	3	10
1080	2050	3600	78	194	180.8	88.9	104.8	116	3	18
1090	3730	3600	95	213	200	98.4	123.8	122	3	25
1100	6280	2400	107	250	245.7	120.6	142	155.5	3	42
1110	9320	2250	117	270	258.5	127	160.3	161.5	4.5	54
1120	13700	2025	136	308	304.4	149.2	179.4	191.5	4.5	81
1130	19900	1800	165	346	329.8	161.9	217.5	195	6	121
1140	28600	1650	184	384	371.6	182.8	254	201	6	178
1150	39800	1500	203	454	371.8	182.9	269.2	271.3	6	234
1160	55900	1350	228	501	402.2	198.1	304.8	278.9	6	317
1170	74600	1225	279	509	437.8	215.9	355.6	304.3	6	448
1180	103000	1100	311	630	483.6	238.8	393.7	321.1	6	619
1190	137000	1050	339	676	524.2	259.1	436.9	325.1	6	776
1200	186000	900	361	757	564.8	279.4	497.8	355.6	6	1057
1210	249000	820	390	845	622.3	304.8	533.4	432	12.7	1424
1220	336000	730	420	921	662.7	325	572	490	12.7	1785
1230	435000	680	450	10003	703.8	345	610	546	13	2267
1240	559000	630	480	1087	749	368	648	648	13	2950
1250	746000	580		1181	815	401	711	699	13	3833
1260	932000	540		1261	877	432	762	762	13	4682