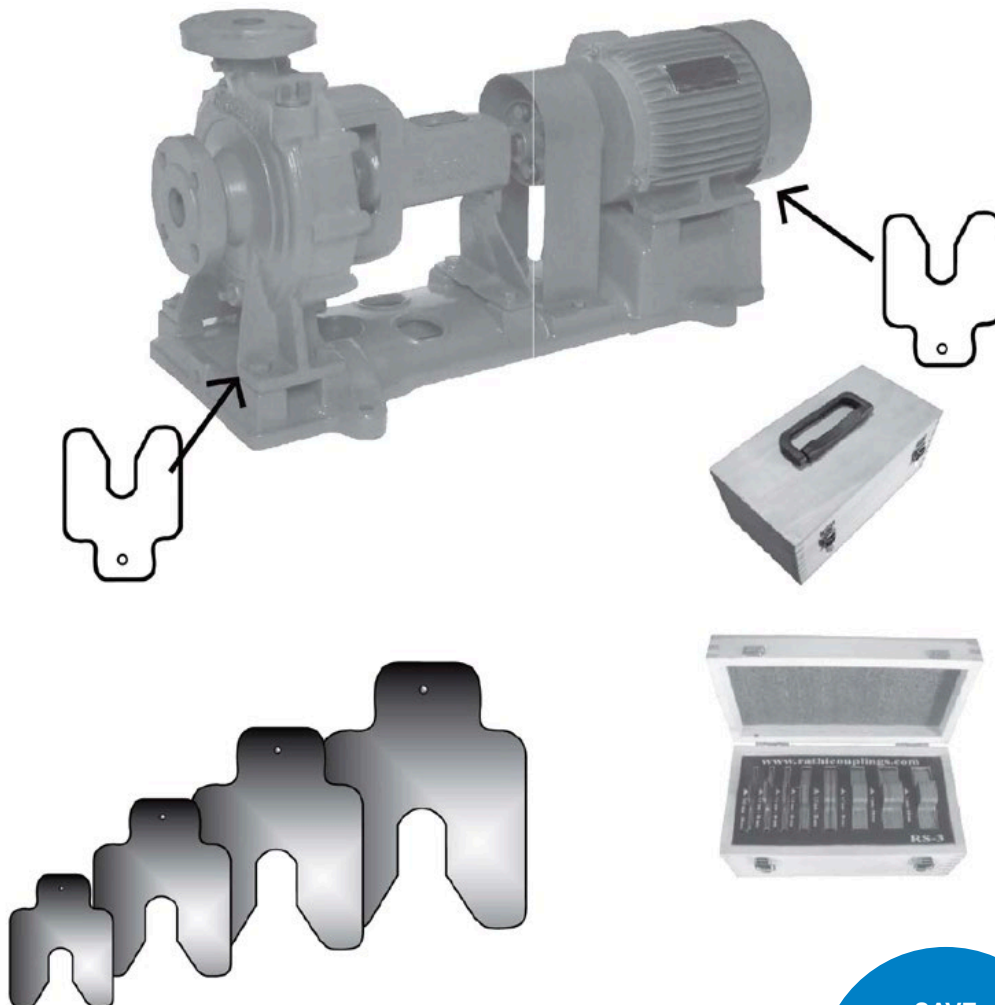




Precut Alignment Shims - Type RS / RSC



**SAVE
ALIGNMENT TIME,
AVOID FALIURES
AND DOWNTIME,
SAVE MONEY**

During installation of rotating equipment shaft alignment is important. Shims play a crucial role in positioning accuracy of the equipment. Lack of shim of proper size and thickness during installation may lead to less than optimal support for the equipment feet during operation. This can lead to vibration and ultimately, to unplanned breakdowns and enormous downtime expenses.

Features

- Seven different sizes in nine different thickness
- Perfectly flat for stable, consistent machine support.
- Fully deburred to avoid cuts.
- Permanent marking provides easy identification at glance.
- Corrsion resistant stainless steel material withstancls acids and alkali.
- Saves a lot of time, labour & money which are wasted by hand cut shims.
- Accurate alignment improves equipment performance & hence it's reliability.



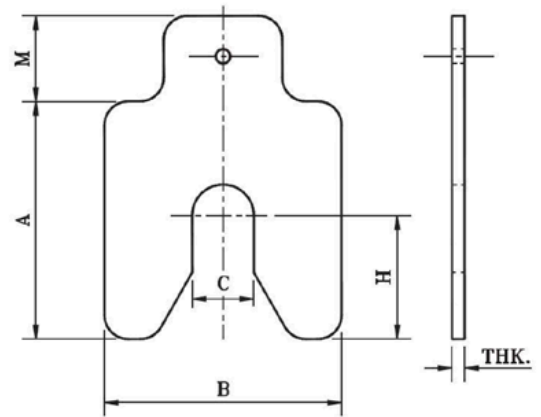
Precut Alignment Shims - Type RS / RSC

ADVANTAGE OF PRECUT SHIMS OVER HANID CUT SHIMS

HAND CUT SHIMS	PRECUT SHIMS
Sheets are to be stored-inventory	Sheets are not required
Process : Locate material, mark it, cut, deburr & flatten it	Ready to use
Improper Processing -Inaccurate alignment	Accurate alignment
Danger of injury when cutting & inserting sharp edged shims	Safe as these are deburred
No hole in Shim tab	Hole in Shim tab makes insertion & removal easier

DIMENSIONAL DATA

TYPE	SIZE			C	H	M	STD. THICKNESSES
	A	X	B				
RS 1	40	X	40	13	20	16	0.05, 0.1, 0.2, 0.4, 0.5, 0.7, 1.0, 2.0, 3.0
RS 2	50	X	50	17	25	18	
RS 3	75	X	75	21	37.5	18	
RS 4	100	X	100	27	50	25	
RS 5	125	X	125	45	62.5	30	
RS 5.5	150	X	150	55	75	30	
RS 6	200	X	200	55	100	30	



A. INDIVIDUAL PACKING (Shim Kit)

TYPE / SIZE	0.05	0.1	0.2	0.4	0.5	0.7	1	2	3
All	10	10	10	10	10	10	10	10	10

B. RATHI SHIM CASE (RSC)

SIZE	THICKNESS								TOTAL/ BOX
	0.05	0.1	0.2	0.4	0.5	0.7	1	2	
RSC-1	20	20	20	20	20	20	20	10	150
RSC-2	20	20	20	20	20	20	20	10	150
RSC-3	20	20	20	20	20	20	20	10	150
RSC-4	20	20	20	20	20	20	20	10	150
RSC-5	10	10	10	10	10	10	10	10	80
RSC-5.5	10	10	10	10	10	10	10	10	80
RSC-6	10	10	10	10	10	10	10	10	80

All dimensions are in mm.